



BAeA	Sports Glider	2018
Known 2		

Figure K  
132  
Total K  
147

Judges Name		Flight #
Signature	Number	

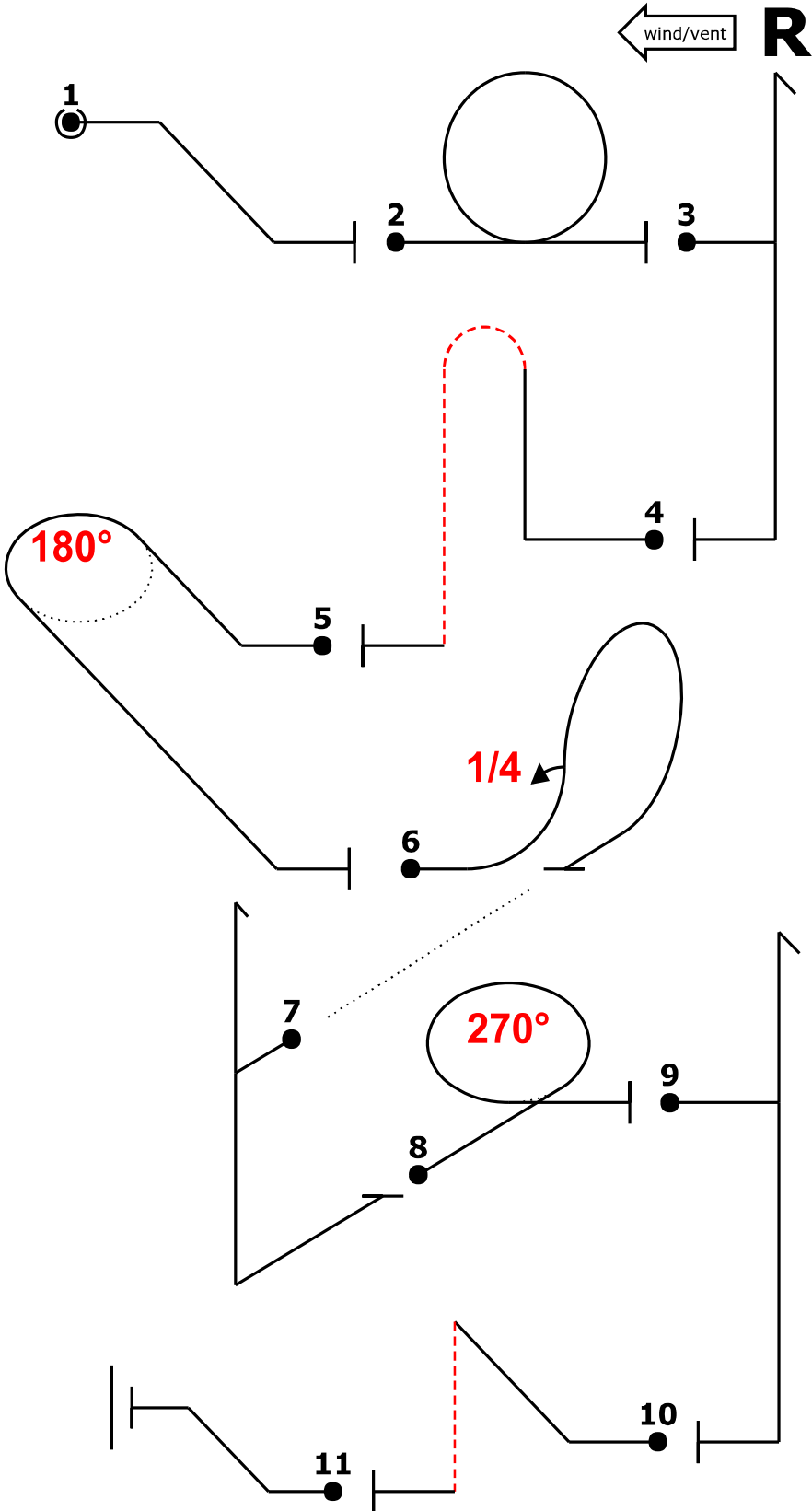


Fig	Pos	Remarks	Grade
1			.
2			.
3			.
4			.
5			.
6			.
7			.
8			.
9			.
10			.
11			.

Positioning  
15 .

Too Low		Trg Violation	
Too High		Wing Rocks	
Interruptions		Disqual Fig	
Insertions		Other(note...)	

id o h...'' pb...'' -1% . 'jw.... > 2% ''''+oj (-10,6) h.'+hw ~w+3j> ~h... ' t -3% d

Fig 1	K	Fig 2	K	Fig 3	K	Fig 4	K	Fig 5	K	Fig 6	K	Fig 7	K	Fig 8	K	Fig 9	K	Fig 10	K	Fig 11	K
1.1.2.3	7	7.4.1.1	10	5.2.1.1	17	8.4.3.1	15	0.0	8	0.1	16	5.2.1.1	17	2.3.1.1	5	5.2.1.1	17	1.2.1.1	13	1.1.2.1	7
	7		10		17		15		8		16		17		5		17		13		7

Pilot:

A/C:

Team: GBR



BAeA Sports Glider 2018  
Known 2

Figure K  
132  
Total K  
147

Judges Name  
Signature Number

Flight #

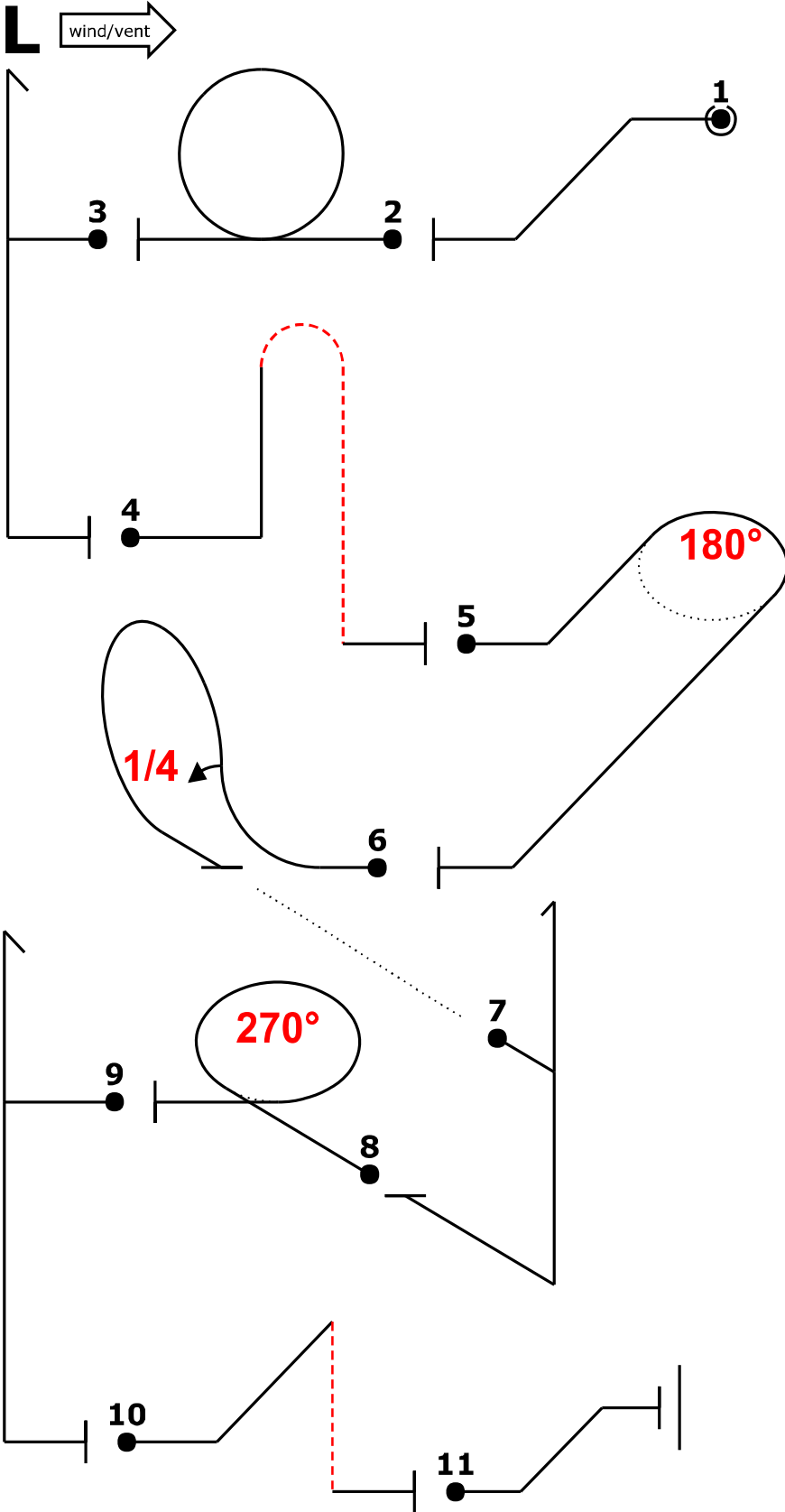


Fig	Pos	Remarks	Grade
1			.
2			.
3			.
4			.
5			.
6			.
7			.
8			.
9			.
10			.
11			.

Positioning  
15 .

Too Low		Trg Violation	
Too High		Wing Rocks	
Interruptions		Disqual Fig	
Insertions		Other(note...)	

id o h...'' pb...'' -1% . 'jw.... > 2% ''''+oj (-10,6) h.'+hw ~+3j> ~h... ' t -3% d

Fig 1	K	Fig 2	K	Fig 3	K	Fig 4	K	Fig 5	K	Fig 6	K	Fig 7	K	Fig 8	K	Fig 9	K	Fig 10	K	Fig 11	K
1.1.2.3	7	7.4.1.1	10	5.2.1.1	17	8.4.3.1	15	0.0	8	0.1	16	5.2.1.1	17	2.3.1.1	5	5.2.1.1	17	1.2.1.1	13	1.1.2.1	7
	7		10		17		15		8		16		17		5		17		13		7

Pilot:

A/C:

Team: GBR

